

Part I-Table

Time Required (Seconds)	Distance from flame
90s	10 cm
124s	12 cm
165s	14 cm
215s	16 cm
264s	18 cm
328s	20 cm
397s	22 cm
479s	24 cm
546s	26 cm
663s	28 cm
775s	30 cm
919s	32 cm

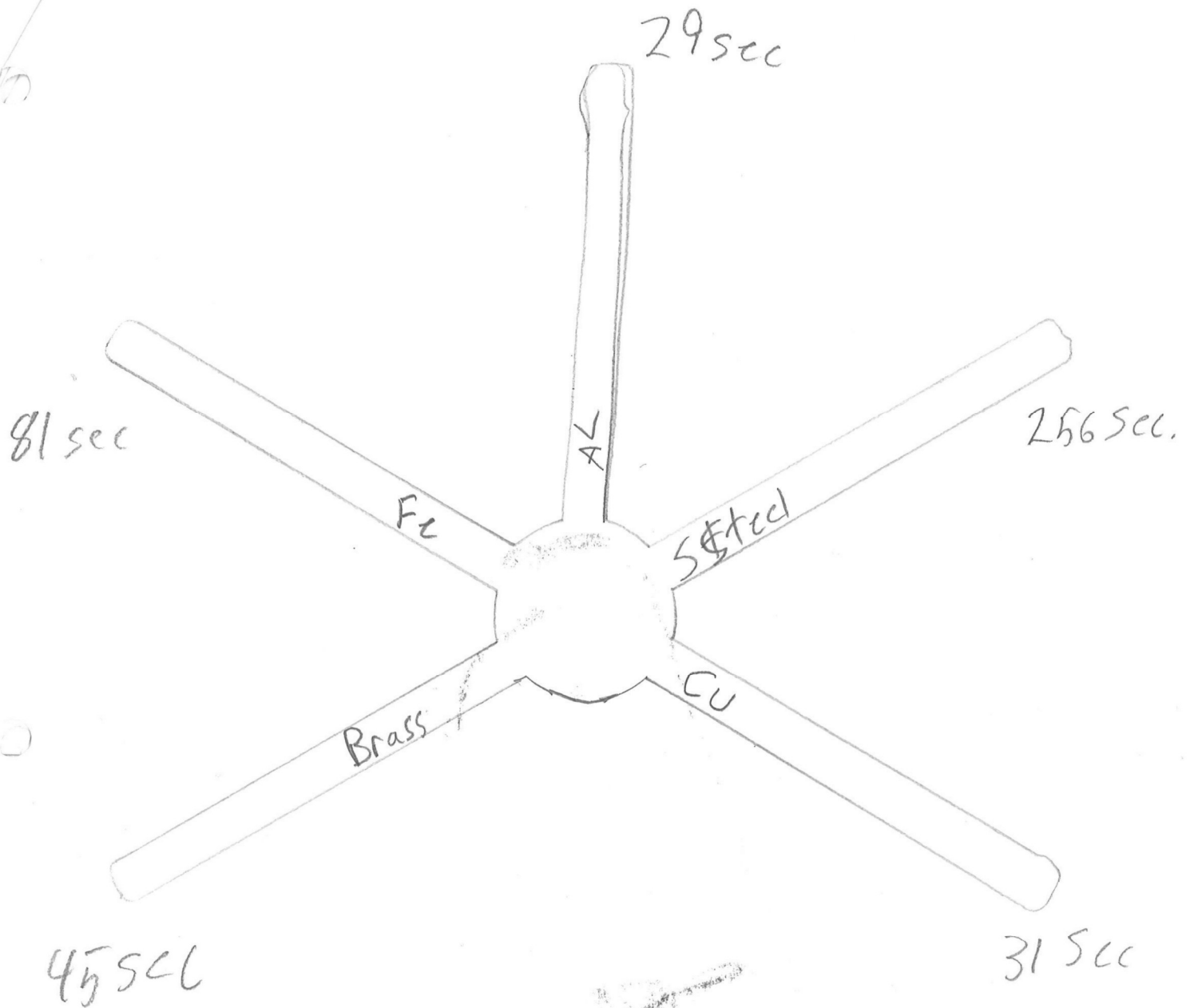
This is a sample of data for the first part of the lab.

Measurements were taken for the conduction of heat through solid brass rod.

What to hand in:

- a table of values like this table
- a graph
- a diagram like the one on the next page
- a second shorter table using the diagram times and the heat of conductivity found on the link
- a second graph
- answers to all five questions that are written as complete statements

Travis



This diagram show the apparatus and the times recorded for the conduction of heat through five different metals

Please find the thermal conductivity values from the link found on the question sheet.